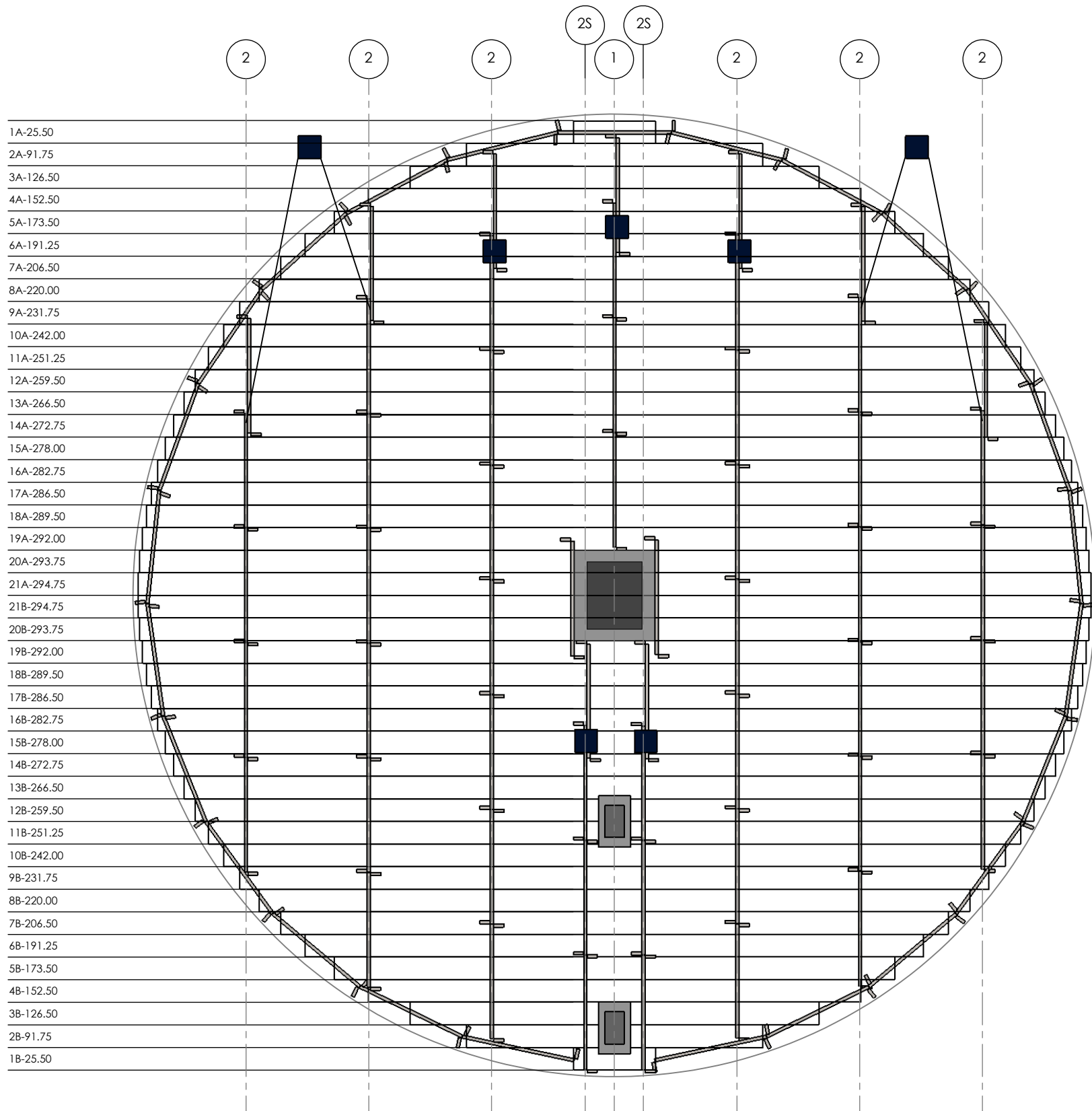


2503 FLOOR ILLUSTRATION (11' EAVE HEIGHT)



■ CLIPS PLACED AT EVERY INTERSECTION FROM ROW TO SUPPORT CIRCUMFERENCE

WARNING: DO NOT EXCEED 6" OF BOARD OVER HANG FROM SUPPORT

ITEM	DESCRIPTION
1	CENTER CHALKLINE
2	NORMAL CHALKLINE SPACING 38"
2S	INNER ROW CHALKLINE SPACING 9"
■	2 CLIPS (APPLIED AT THE TOP AND BOTTOM OF EVERY SYNTIRO INTERSECTION)

ITEM	AMOUNT
42" SYNTIRO'S	81
CLIPS	50

UNITS	TOTALS
LIN/FT	788.08'
LBS	1489.47
FLASHING	51